



## **ACCESS** reliability.

### Application

The RF-programmable ProxKey® III proximity key fob incorporates proximity technology into a convenient device approximately the size of an automotive key.

### Features

- ▶ Improved key fob design provides additional durability and more opportunity for customization.
- ▶ Offers universal compatibility with all HID proximity readers.
- ▶ Provides an external number for easy identification and control.
- ▶ Can be placed on a key ring for convenient entry.
- ▶ Supports formats up to 85 bits, with over 137 billion codes.
- ▶ Using HID's ProxProgrammer™, card vendors can ship proximity key fobs, custom programmed to their customers' requirements, from their own inventory. Enables smaller order quantities and overnight delivery. (Check with vendor for availability.)

# Features

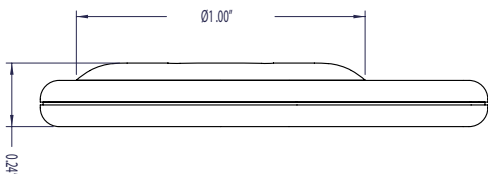
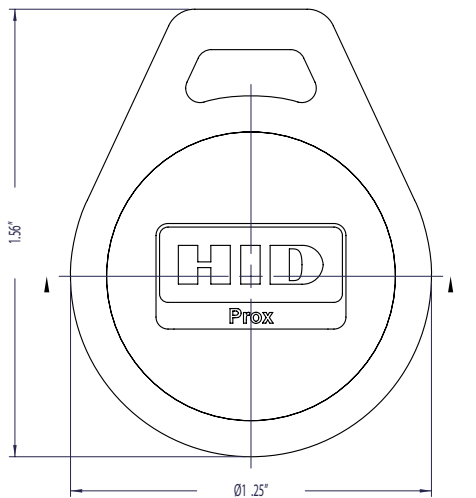
**Proven, Reliable Technology** Offers extremely consistent read range. Unaffected by body shielding or variable environmental conditions, even when close to keys and coins.

**Small and Convenient** Can be carried with keys in pocket or handbag.

**Cross-reference** A cross-reference list correlating the external card number and the programmed ID number is provided for easy system administration.

**Security** Offers over 137 billion unique codes.

**Long Life** Passive, no-battery design allows for an infinite number of reads.



\*Dependent on local installation conditions.

© 2010 HID Global. All rights reserved. HID, and the HID logo are trademarks or registered trademarks of HID Global in the U.S. and/or other countries. All other trademarks, service marks, and product or service names are trademarks or registered trademarks of their respective owners. Rev. 4/2010



For best results, please print on recycled paper.

MKT-PROXKEYii\_DS\_EN



**ACCESS experience.**

**HID Global Offices:**

**Corporate North America**  
15370 Barranca Parkway  
Irvine, CA 92618-2215  
U.S.A.  
Phone: (800) 237 - 7769  
Phone: (949) 732 - 2000  
Fax: (949) 732 - 2360

**Latin America**  
Vasco de Quiroga No. 1900 - 202  
Centro Ciudad Santa Fé  
Delegación Alvaro Obregón  
01210 México, D.F.  
Phone: +52 55 5081 1650  
Fax: +52 55 5081 1670

**Europe, Middle East & Africa**  
Homefield Road  
Haverhill, Suffolk  
CB9 8QP  
England  
Phone: +44 (0) 1440 714 850  
Fax: +44 (0) 1440 714 840

<b>Base Part Number</b>	1346
<b>Description</b>	RF-programmable, 125 kHz, black with grey insert, customer-specified ID Numbers
<b>*Typical Maximum Read Range</b>	ProxPoint® Plus reader up to 1.5" (3.7 cm) MiniProx™ reader up to 2" (5 cm) ThinLine® II reader up to 2" (5 cm) ProxPro® reader up to 3" (7.5 cm) ProxPro® II reader up to 4" (10.2 cm) Prox80™ up to 2" (5.1 cm) MaxiProx® reader up to 12" (28 cm)
<b>Dimensions</b>	1.555 x 1.25 x 0.235 inches max (3.95 x 3.18 x 0.60 cm)
<b>Key Fob Construction</b>	Ultrasonically welded ABS Shell with TPE insert
<b>Operating Temperature</b>	-50° to 160° F (-45° to 70° C)
<b>Weight</b>	0.14 oz (4.0g)
<b>Memory Size/ Application Areas</b>	N/A
<b>HID Proximity 125 kHz</b>	Yes
<b>Contact Smart Chip Module Embeddable</b>	No
<b>Wiegand Stripe</b>	No
<b>Magnetic Stripe</b>	No
<b>Printable</b>	No
<b>Standard HID Artwork</b>	Yes
<b>Slot Punch</b>	Key Ring Hole
<b>Visual Security Options</b>	N/A
<b>Additional Security Options</b>	Corporate 1000
<b>Warranty</b>	Lifetime
<b>Options</b>	Key Ring sold separately (Part Number: 57-0001-02) External card numbering (inkjet or laser engraving)

ผู้นำเข้าอย่างเป็นทางการในประเทศไทย

บริษัท เบนนิซิส จำกัด

117/8 ซอยแจ้งวัฒนะ 10 ถนนแจ้งวัฒนะ แขวงทุ่งสองห้อง เขตหลักสี่ กรุงเทพมหานคร 10210  
โทรศัพท์ +66-2-094-0800 www.bainisys.com



hidglobal.com