

**DS-K4H255S
Single Door Magnetic Lock**

The DS-K4H255S Single-Door magnetic lock is designed for wooden door, glass door, and metal door. Aluminum is the main material. The maximum thrust of the lock is 272 kg (600 Lbs). It can be used for controlling door opening/closing. Special anti-residual magnetism designed makes the access control automation safer and electric lock more durable.

- Magnetic lock supports up to 272 kg (600 Lbs) of thrust
- Power supply can be 12 VDC or 24 VDC, (default voltage is 12 VDC)
- Suitable for wooden door, glass door, metal door
- High strength material, anodized aluminum housing
- Magnetic lock, completely using electromagnetic suction work
- Abrasion-proof materials

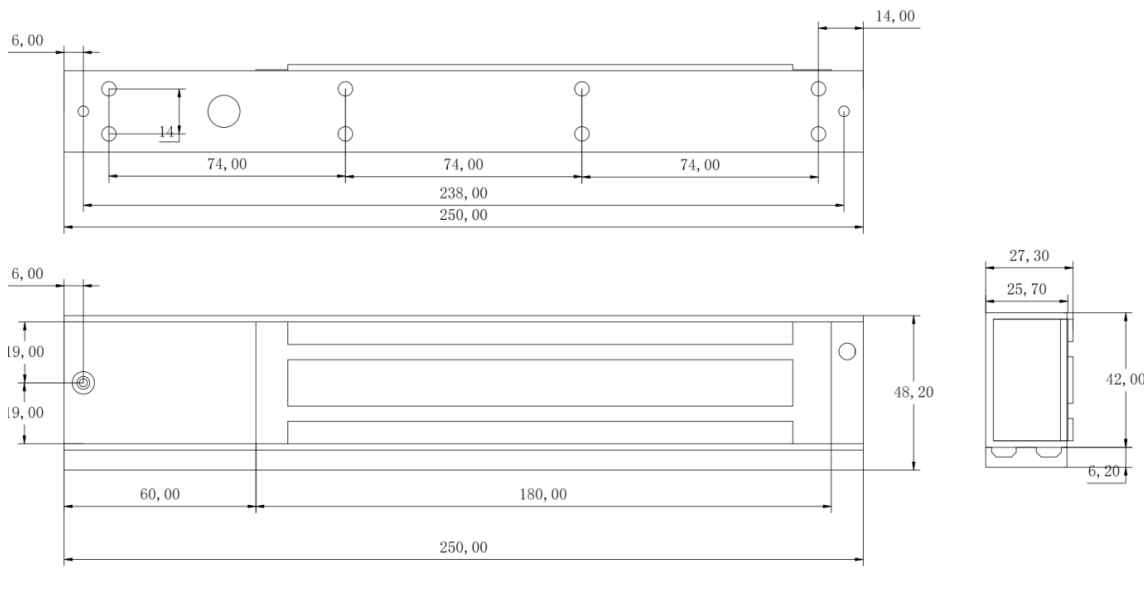
▪ **Specification**

General	
Power supply	12 VDC to 24 VDC, 470 mA to 235 mA
Working temperature	-10 °C to 55 °C (14 °F to 131 °F)
Working humidity	0 to 95 % (relative humidity)
Dimensions	Lock Body: 250 mm × 28 mm × 48 mm (9.8" × 1.1" × 1.9") Armature Plate: 180 mm × 38 mm × 12 mm (7.1" × 1.5" × 0.5")
Weight	1.9 kg (4.2 lb)
Material	Shell: hard Anodizing Electroplating Operated Lock Body: eco-friendly Zinc Electroplating Operated Armature Plate: eco-friendly Zinc Electroplating Operated
Door type	Glass door, wooden door, and metal door
Thrust	Max. 272 kg (600 Lbs)
Magnetic Lock	
Unlock method	Current Interruption

▪ **Available Model**

DS-K4H255S

▪ **Dimension**



▪ **Accessory**

▪ **Included**

DS-K4H255-LZ Value Magnetic Locks	DS-K4H255-U Value Magnetic Locks
	