

**DS-K4H255-U**  
Accessory of Magnetic Lock



- Bracket for DS-K4H255S
- Suitable for lower edge frameless glass door

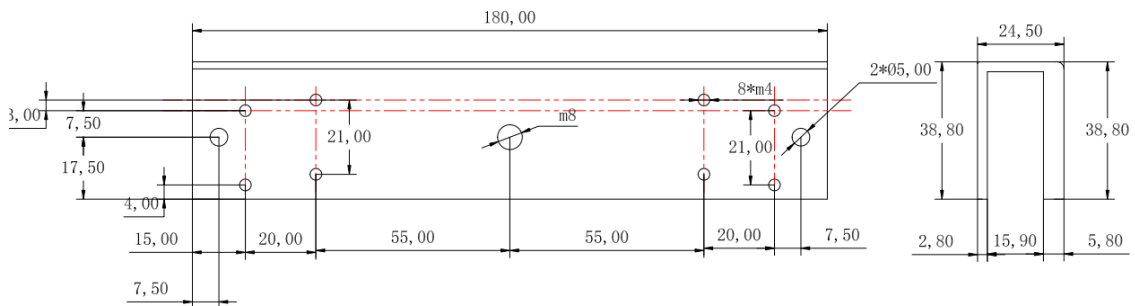
▪ **Specification**

General	
Dimensions	180 mm × 24.5 mm × 38.8 mm (7.1" × 1.0" × 1.5")
Weight	0.2kg (0.4 lb)
Material	High strength aluminum alloy surface sandblasting oxidation
Door type	Lower edge frameless glass door (door thickness: 9 to 12 mm)
Bracket of Magnetic Lock	
Suitable Door	Lower edge frameless glass door(door thickness 9~12mm)

▪ **Available Model**

DS-K4H255-U

▪ **Dimension**



▪ **Accessory**

▪ **Included**

