

DS-K4H255-LZ
Accessory of Magnetic Lock



- Bracket for DS-K4H255S
- L bracket is used for fixed lock body
- Z bracket is used for suction plate fixed, is equipped with antiskid and structure adjustment

▪ **Specification**

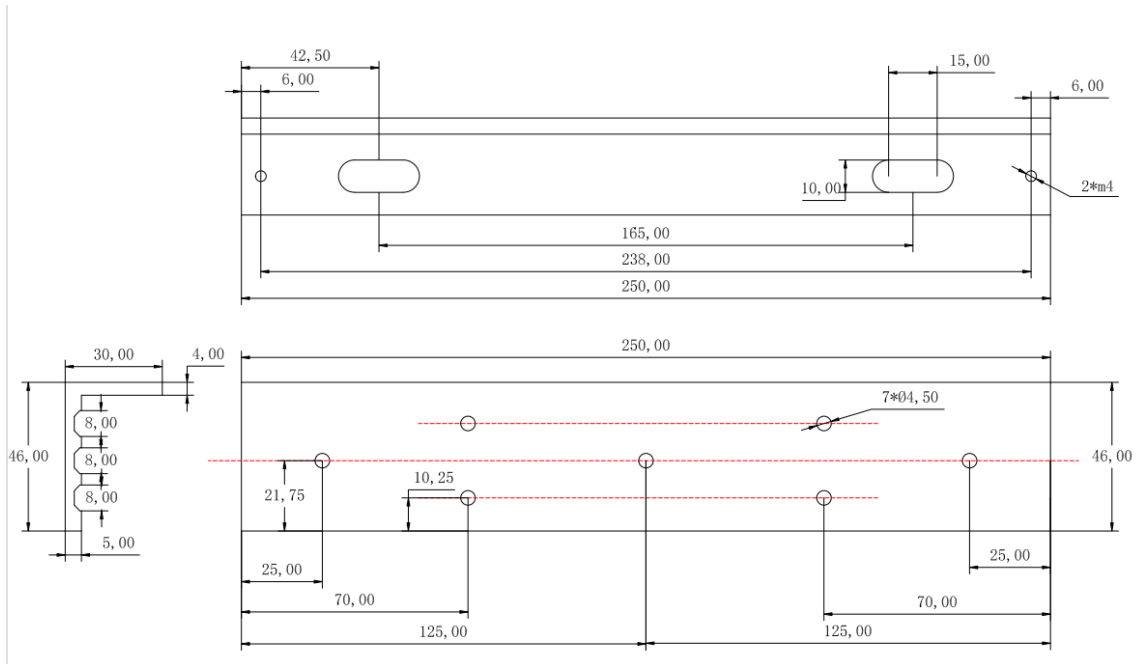
General	
Dimensions	L-bracket: 250 mm × 46 mm × 30 mm (9.8" × 1.8" × 1.2") Z-bracket: 180 mm × 47 mm × 47 mm (7.1" × 1.9" × 1.9")
Weight	0.5 kg (1.1 lb)
Material	High strength aluminum alloy surface sandblasting oxidation
Door type	Wooden Door, Glass Door, Metal Door
Bracket of Magnetic Lock	
Suitable Door	Wooden Door, Glass Door, Metal Door

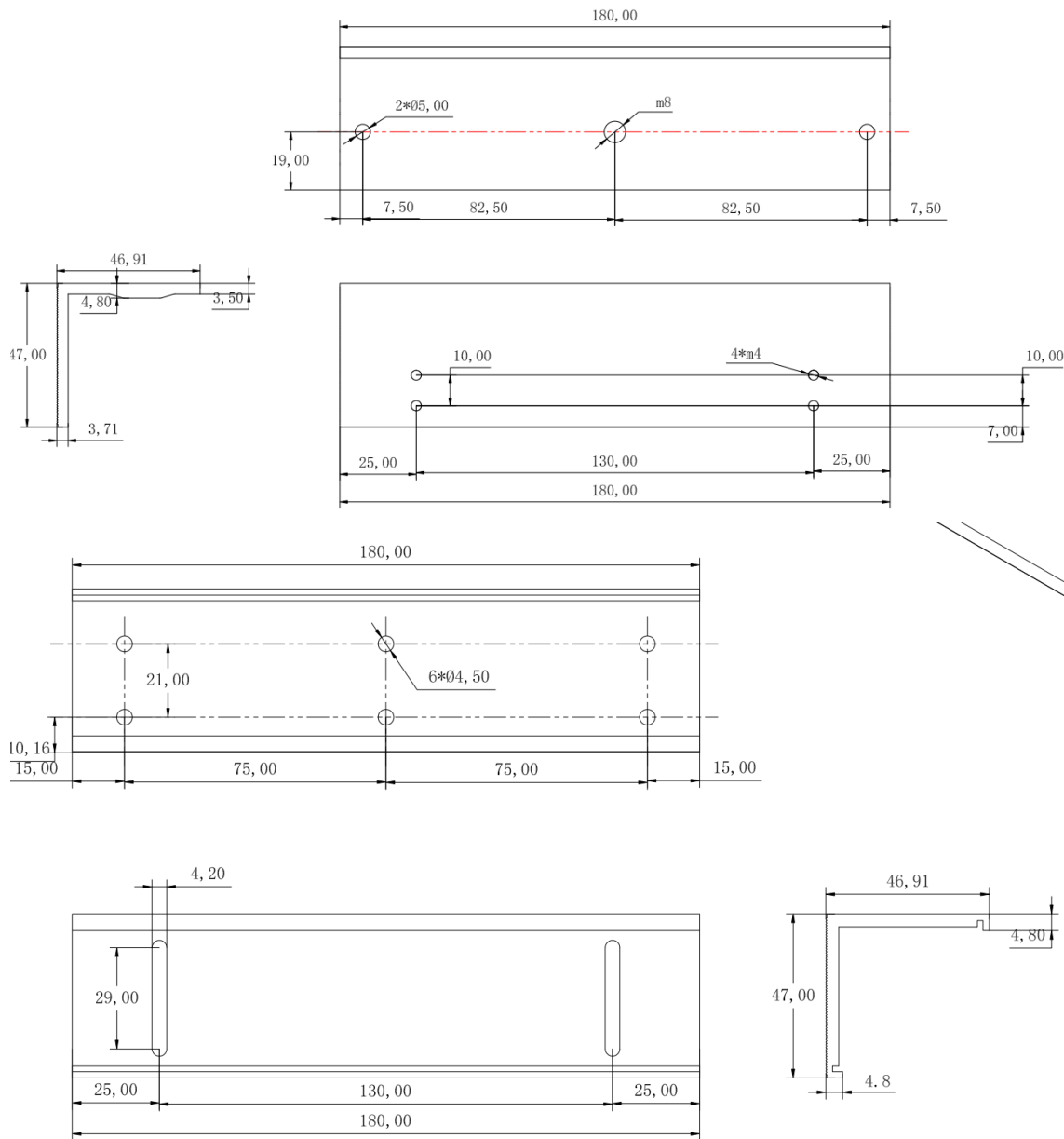
*Bracket for DS-K4H255S

▪ **Available Model**

DS-K4H255-LZ

▪ **Dimension**





▪ **Accessory**

▪ **Included**

