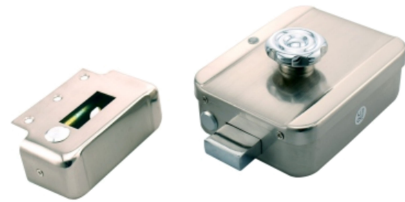


DS-K4E100 Intelligent Electric Lock



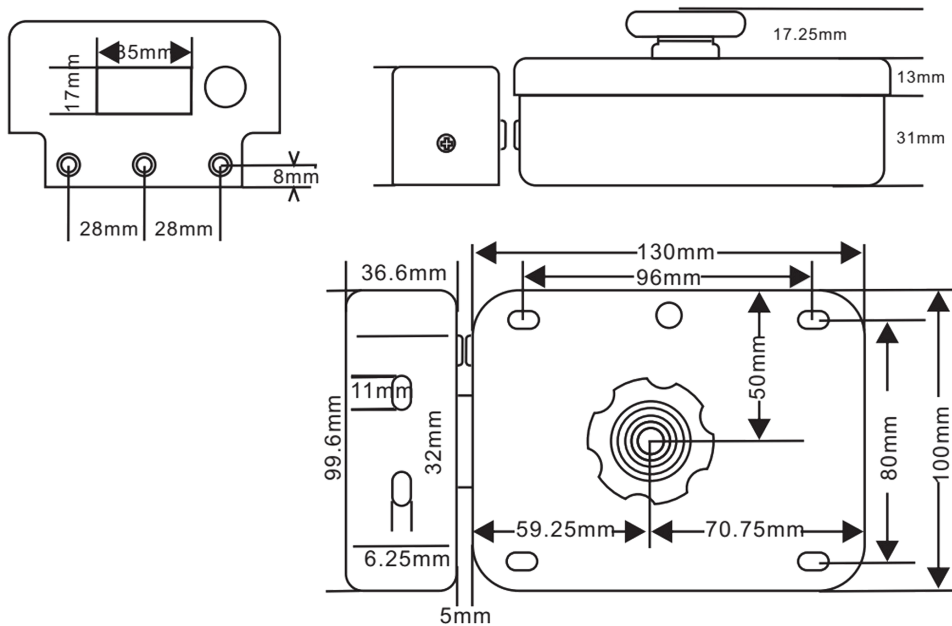
Key Feature

- Works cooperatively with video intercom system and access control system
- Lock status detection
- Installs on the left opening door, right opening door, interior door, exterior door and other doors
- The door will be automatically locked without people entering after 9 seconds
- Working voltage: 12 VDC to 18 VDC, working current < 350 mA, standby current < 25 mA, unlock time 1 s
- Working temperature: -20 °C to 60 °C (-4 °F to 122 °F)
- Life expectancy (≥ 500,000 times), high switch sensitivity, low power consumption
- Lock and unlock testing of intelligent lock
 - 1 Unlocked status: the lock tongue does not come out; NC and COM connected, NO and COM disconnected
 - 2 Locked status: NC and COM connected, NO and COM disconnected
 - 3 Door contact detection: when door is open, the door contact remainly open; when door is closed, the door contact remainly close

Specifications

Model	DS-K4E100
Dimension (W × H × D)	130 mm × 100 mm × 61.25 mm (5.12" × 3.94" × 2.41")
Power supply	DC 12V ± 10%
Electric current	350 mA (working current)
	25 mA (standby current)
Working temperature	-20 °C to 50 °C (-4 °F to 122 °F)
Length of the lock tongue	20 mm
Material	Stainless steel
Weight	1.45 kg (3.20 lb)

Appearance



Available Model

DS-K4E100