

**DS-K3Y411X  
Flap Barrier**

The DS-K3Y411X series flap barrier with two barriers and 6 pairs IR lights is designed to detect unauthorized entrance or exit. By adopting the flap barrier integrated with the access control system, person should authenticate to pass through the lane via swiping IC or ID card, scanning QR code, etc. It is widely used in attractions, stadiums, construction sites, residences, etc.

- Permissions validation and anti-tailgating.
- Remaining open/closed mode selectable.
- The barrier will be open or stop working when people are nipped.
- Self-detection, Self-diagnostics, and automatic alarm .
- Audible and visual alarm will be triggered when detecting intrusion, tailgating reverse passing, and climbing over barrier.
- TCP/IP network communication: The communication data is specially encrypted to relieve the concern of privacy leak.
- LED indicates the entrance/exit and passing status.
- Fire alarm passing: When the fire alarm is triggered, the barrier will be open automatically for emergency evacuation.

## ▪ Specification

System	
MCBF	> 3 million times
Motor	Brush motor
Interface	
Network interface	1
RS-485	4
RS-232	4
Lock output	2
IO input	2
IO output	2
Capacity	
Card capacity	60,000
Event capacity	180,000
General	
Throughput	20 to 60 persons per minute The actual throughput is affected by the person passing rate and passing method
Power supply method	100 to 240 VAC, 50 to 60 Hz
IR light detectors	6 pairs
Working temperature	-20 °C to 65 °C (-4 °F to 149 °F)
Lane width	600 mm (23.62")
Working humidity	0% to 95% (No condensing)
Barrier material	Acrylic glass
Dimensions	With packaging: 1360 mm × 440 mm × 1200 mm (53.54" × 17.32" × 47.24") Without packaging: 1207 mm × 315 mm × 990 mm (47.52" × 12.40" × 38.98")
Pedestal material	SUS304 stainless steel
Application environment	Indoor and outdoor
Weight	Net: approximately 50 kg (left)/64 kg (middle)/52 kg (right) (110.3 lb/141.1 lb/114.7 lb) Rough: approximately 80 kg (left)/94 kg (middle)/83 kg (right) (176.4 lb/207.3 lb/183.0 lb)
Approval	CE/FCC/CB/RoHS/REACH/WEEE
Configuration	
Module selection	YES
Authentication mode	Card, Face, Fingerprint, QR code
Card type	EM, M1
Wall distance	10 mm
Lane width	600
Recommended width	600
Pedestal length	1200 mm
Pedestal width	315 mm
Barrier material	Acrylic glass
Base	YES
Base model	DS-K3Y411X-BASE

Authentication exclusionary	Fingerprint, QR code
Product type	Flap barrier
Remote controller type	433 Mhz, 868 Mhz

## ▪ Maintenance

The main element of the turnstile is stainless steel, which is rustless (antioxidant) and corrosion resistant (The anti corrosion ability in the medium of acid, alkali, and salt). In order to keep the stainless steel from being oxidized or corroded, you should clean and care the turnstile surface periodically .

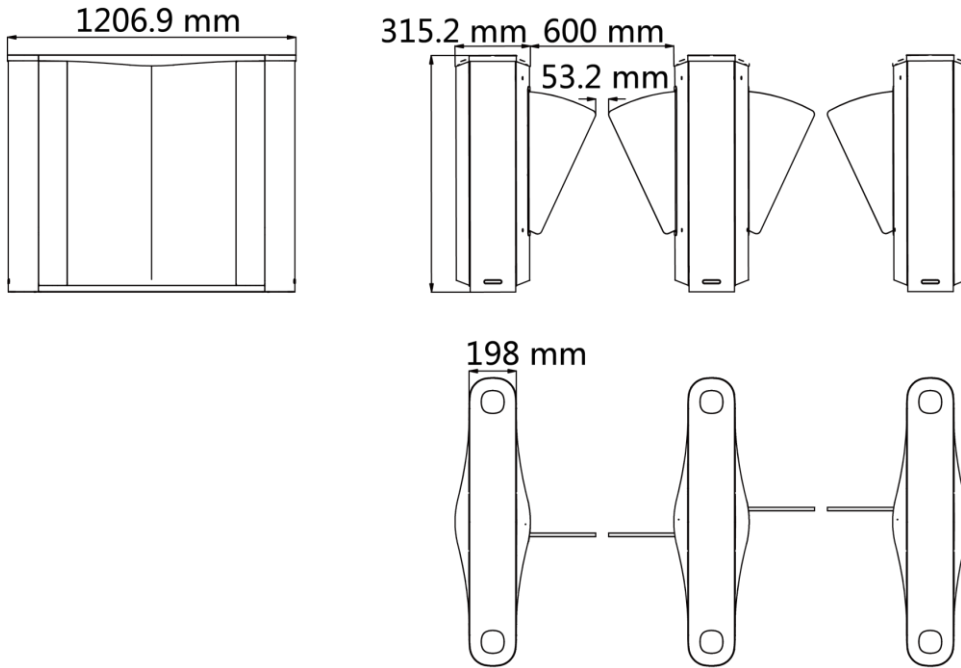
The instructions and tips for maintaining the turnstile are as follows:

- Select different stainless steel types according to the variety of the environments. You can select 304 stainless steel for common circumstances and 316 stainless steel for the scenarios of seashores and chemical plants.
- Keep the device surface clean and dry.
- Use non-woven cloth and ethyl alcohol to clean the dirt on the device surface.
- Use sourcing pad (do not use mesh cleaning ball) to clean the rust on the device surface by following the wire drawing on the stainless steel. And then use non-woven cloth and stainless steel cleaner to wipe the device surface.
- Clean and maintain the device by using non-woven cloth and stainless steel cleaner periodically. It is suggest to clean the device every month in common circumstances and every week for severe environments (seaside and chemical plants for instance).

## ▪ Available Model

DS-K3Y4111-L1/MPgQ-Dp60-S12, DS-K3Y4111-R/EPgQH-Dp60-S12, DS-K3Y411X-L1/Dp60, DS-K3Y411X-L1/M-Dp60, DS-K3Y411X-L1/MPg-Dp60, DS-K3Y411X-L1/EPg-Dp60, DS-K3Y411X-L2/Dp60, DS-K3Y411X-L2/M-Dp60, DS-K3Y411X-L2/MPg-Dp60, DS-K3Y411X-L2/EPg-Dp60, DS-K3Y411X-M1/M-Dp60, DS-K3Y411X-M1/MPg-Dp60, DS-K3Y411X-M1/EPg-Dp60, DS-K3Y411X-M2/M-Dp60, DS-K3Y411X-M2/MPg-Dp60, DS-K3Y411X-M2/EPg-Dp60, DS-K3Y411X-R/M-Dp60, DS-K3Y411X-R/MPg-Dp60, DS-K3Y411X-R/EPg-Dp60, DS-K3Y411X-L1/Dp60-S12, DS-K3Y411X-L1/M-Dp60-S12, DS-K3Y411X-L1/MPg-Dp60-S12, DS-K3Y411X-L1/EPg-Dp60-S12, DS-K3Y411X-L2/Dp60-S12, DS-K3Y411X-L2/M-Dp60-S12, DS-K3Y411X-L2/MPg-Dp60-S12, DS-K3Y411X-L2/EPg-Dp60-S12, DS-K3Y411X-M1/M-Dp60-S12, DS-K3Y411X-M1/MPg-Dp60-S12, DS-K3Y411X-M1/EPg-Dp60-S12, DS-K3Y411X-M2/M-Dp60-S12, DS-K3Y411X-M2/MPg-Dp60-S12, DS-K3Y411X-M2/EPg-Dp60-S12, DS-K3Y411X-R/M-Dp60-S12, DS-K3Y411X-R/MPg-Dp60-S12, DS-K3Y411X-R/EPg-Dp60-S12, DS-K3Y411X-R/MPg-Dr60-S12, DS-K3Y411X-R/EPg-Dr60-S12, DS-K3Y411X-M1/MPg-Dp60/868, DS-K3Y411X-M2/MPg-Dp60/868, DS-K3Y411X-R/MPg-Dp60/868, DS-K3Y411X-L1/MPg-Dr60, DS-K3Y411X-L2/MPg-Dr60, DS-K3Y411X-M1/MPg-Dr60, DS-K3Y411X-M2/MPg-Dr60, DS-K3Y411X-R/MPg-Dr60, DS-K3Y411X-M2/MPg-Dr60-S12, DS-K3Y411X-M1/MPg-Dr60-S12, DS-K3Y411X-L2/MPg-Dr60-S12, DS-K3Y411X-L1/MPg-Dr60-S12

▪ **Dimension**



▪ **Accessory**

▪ **Optional**

