

**DS-K3G501LX
Tripod Turnstile**

The DS-K3G501LX series tripod barrier is designed to detect unauthorized entrance or exit. By adopting the turnstile integratedly with the access control system. It is widely used in attractions, stadiums, construction sites, residences, etc.

- Barrier open/closed, free accessing, forbidden mode are selectable.
- Bidirectional (entering/exiting) lane
- LED indicates the entrance/exit and passing status.
- Fire alarm passing: when the fire alarm is triggered, the barrier will be dropped automatically for emergency evacuation.
- Valid passing duration settings: system will cancel the passing permission if a person does not pass through the lane within the valid passing duration.
- Easy integration of any third-party access control system via relay input.
- With key buttons to configure turnstile's functions and parameters offline.

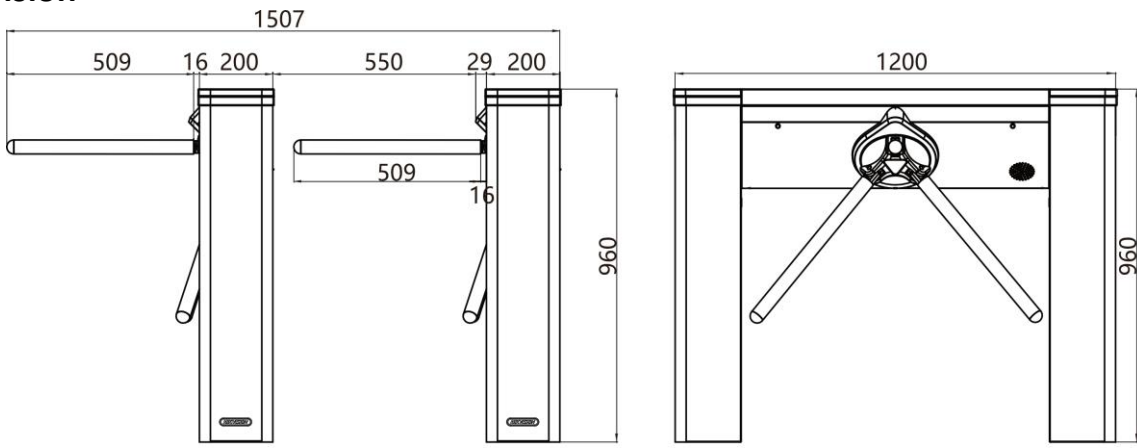
▪ Specification

System	
Motor	N/A
MCBF	> 3 million times
Interface	
Exit button	2
Alarm input	1
TAMPER	NA
General	
Throughput	More than 35 persons per minute The actual throughput is affected by the person passing rate and passing method.
Lane width	550mm
Barrier material	SUS304 stainless steel
Pedestal material	SUS304 stainless steel
Built-in access controller	No
Power supply	Switching power supply: 100 to 240 VAC; 50 to 60 Hz Power adapter: 100 to 240 VAC; 50 to 60 Hz
Power consumption	Standby: 40W
Working temperature	Switching power supply: -20 °C to 65 °C (-4 °F to 149 °F) Power adapter: -10 °C to 45 °C (14 °F to 113 °F)
Working humidity	0% to 95% (No condensing)
Dimensions	Without package: 232 mm × 960 mm × 1208 mm (9.1" × 37.8" × 47.6") With package: 390 mm × 1185 mm × 1320 mm (15.4" × 46.7" × 52.0")
Weight	Without package: 45 kg (99.2 lb) With package: 69 kg (152.1 lb)
Application environment	Indoor and outdoor
Configuration	
Module selection	NO
Base model	DS-K3G501-BASE
Remote controller type	NA

▪ Available Model

DS-K3G501LX

▪ **Dimension**



Unit: mm

▪ **Accessory**

▪ **Optional**

DS-K7SP01	DS-K3M210
