

**DS-K3G200X
Value Tripod Turnstile**

By adopting the turnstile integratedly with the access control system, person should authenticate to pass through the lane via presenting cards, face, or QR code, etc. It is widely used in attractions, office, construction sites, residences, etc.

- Bidirectional (Entering/Exiting) lane.
- Support remote control and management by HCP software.
- High-brightness LED indicates the entrance/exit and passing status except "Pg" type.
- Fire alarm passing: When triggered, the arms will be dropped automatically for emergency evacuation.
- Support PC web browser, easy to do the configuration.
- Support ISAPI protocol for 3rd party integration development.

▪ Specification

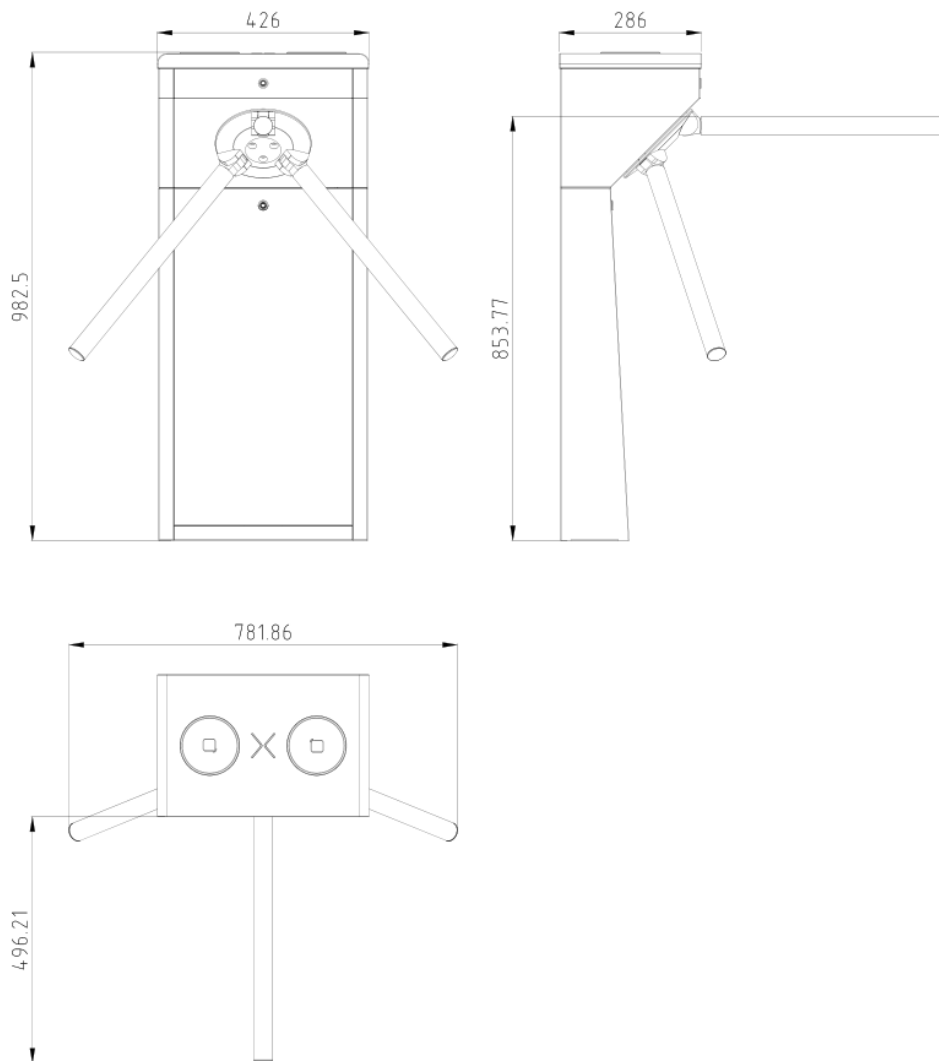
System	
MCBF	2 Million
Interface	
Network interface	TCP/IP
Lock control	x 2
Exit button	x 2
Alarm output	x 2
TAMPER	NA
Fire alarm input	x 1
Case input	x 2
Hardware	
Access controller	Built-in
Network switch	Not included
Power supply for face recognition module	Not included
Keyfob	Not supported
Capacity	
Card capacity	500,000
Event capacity	500,000
Authentication	
Card type	EM, M1, Desfire, Felica
Function	
Configuration via Web browser	Yes
General	
Throughput	More than 25 persons per minute The actual throughput is affected by the person passing rate and passing method.
Lane width	550 mm
Barrier material	SUS304 stainless steel pipe
Pedestal material	SUS304 stainless steel 1.0mm (0.03")
Indicator	Yes, except for "Pg" type
Power consumption	35W (stand by)
Working temperature	-20 °C to 65 °C (-4 °F to 149 °F)
Working humidity	0% to 95% (No condensing)
Dimensions	Without package: 426 mm × 268 mm × 982.5 mm (16.77" × 10.55" × 38.68") With package: 700 mm × 430 × 1120 mm (27.56" × 16.93" × 44.09")
Weight	Without package: 21 kg (46.3 lb) With package: 29.5 kg (65 lb)
Approval	CE, CB, RoHS, REACH, WEEE
Configuration	
Lane width	550 mm
Pedestal length	426 mm
Module selection	NO
Pedestal width	286 mm

Wall distance	60 mm
Base	YES
Barrier material	Stainless steel pipe
Authentication mode	Card, Face, QR code
Card type	EM, M1, Desfire, Felica
Recommended width	550
Base model	DS-K3G200X-BASE
Product type	Tripod Turnstile
Remote controller type	NA

▪ **Available Model**


DS-K3G200X-R

▪ **Dimension**



▪ **Accessory**

▪ **Included**

DS-K1102A	
Pro 1102A Series	DS-K7CR01
Card Reader	
	

▪ **Optional**

DS-KAB6-ZU1
