

**DS-K3G200LX
Value Tripod Turnstile**

By adopting the turnstile integratedly with the access control system, person should authenticate to pass through the lane via presenting cards, face, or QR code, etc. It is widely used in attractions, office, construction sites, residences, etc.

- Bidirectional (Entering/Exiting) lane.
- High-brightness LED indicates the entrance/exit and passing status except "Pg" type.
- Fire alarm passing: When triggered, the arms will be dropped automatically for emergency evacuation.
- Support IO connection for 3rd party ACS integration.
- For "Pg" type, the face terminal need purchase separately.

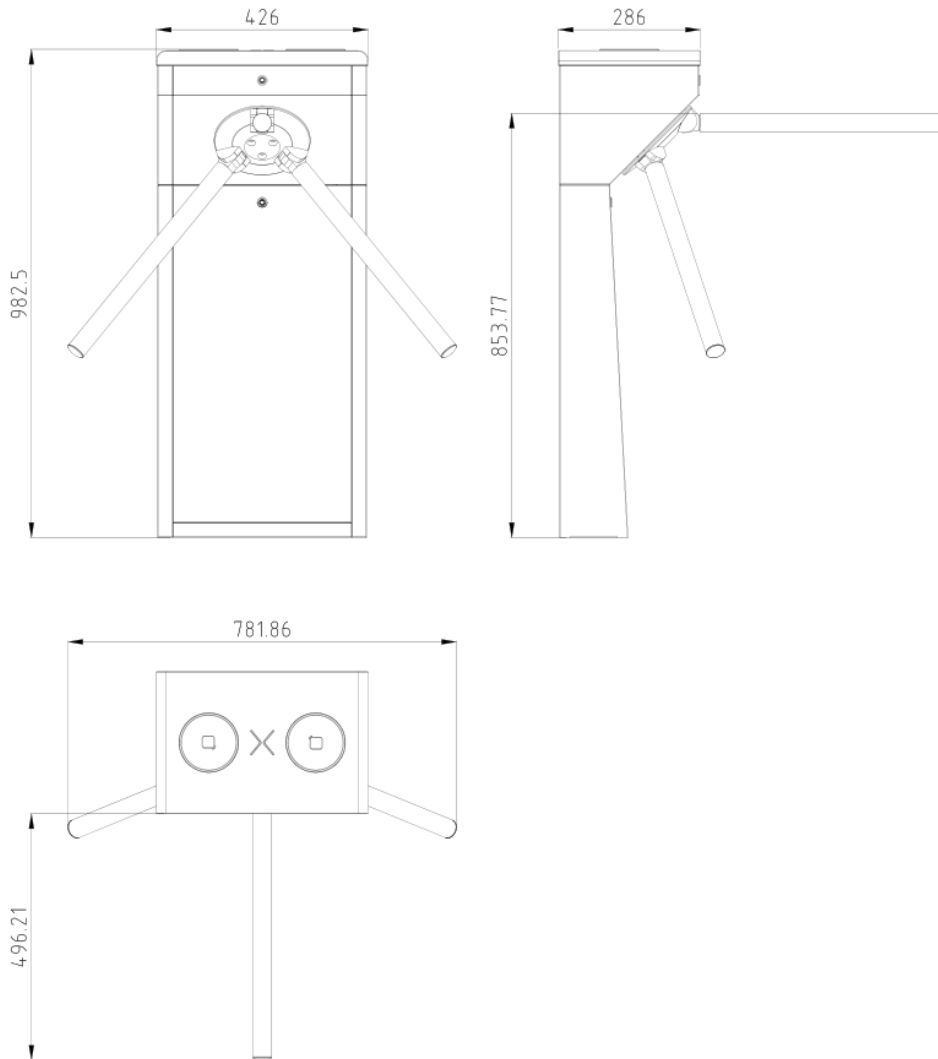
▪ Specification

System	
MCBF	2 Million
Interface	
Exit button	x 2
TAMPER	NA
Fire alarm input	x 1
Hardware	
Access controller	Not included
Network switch	Not included
Power supply for face recognition module	Not included
Keyfob	Not supported
General	
Throughput	More than 25 persons per minute The actual throughput is affected by the person passing rate and passing method.
Lane width	550mm
Barrier material	SUS304 stainless steel pipe
Pedestal material	SUS304 stainless steel 1.0mm (0.03")
Indicator	Yes, except for "Pg" type
Power consumption	25W (stand by)
Working temperature	-20 °C to 65 °C (-4 °F to 149 °F)
Working humidity	0% to 95% (No condensing)
Dimensions	Without package: 426 mm × 268 mm × 982.5 mm (16.77" × 10.55" × 38.68") With package: 700 mm × 430 × 1120 mm (27.56" × 16.93" × 44.09")
Weight	Without package: 21 kg (46.3 lb) With package: 29.5 kg (64.9 lb)
Approval	CE, CB, RoHS, REACH, WEEE
Configuration	
Lane width	550 mm
Pedestal length	426 mm
Module selection	NO
Pedestal width	286 mm
Wall distance	60 mm
Base	YES
Barrier material	Stainless steel pipe
Base model	DS-K3G200X-BASE
Product type	Tripod Turnstile
Remote controller type	NA

▪ Available Model

DS-K3G200LX-R

▪ **Dimension**



▪ **Accessory**

▪ **Optional**

DS-K1102A Pro 1102A Series Card Reader	DS-K7CR01	DS-KAB6-ZU1
		