

**DS-K3B530X
Swing Barrier**

The DS-K3B530X series swing barrier with 14 pairs of IR lights is designed to detect unauthorized entrance or exit. By adopting the swing barrier integratedly with the access control system, person should authenticate to pass through the lane via presenting IC or ID card, scanning QR code, etc. It is widely used in office building, hotels, residences, etc.

- 14 pairs of IR light detectors: Permissions validation and anti-tailgating.
- LED light indicates passing direction.
- Valid passing duration settings: System will cancel the passing permission if a person does not pass through the lane within the valid passing duration.
- Support speaker and remote control keyfob optional, need to order separately.

▪ Specification

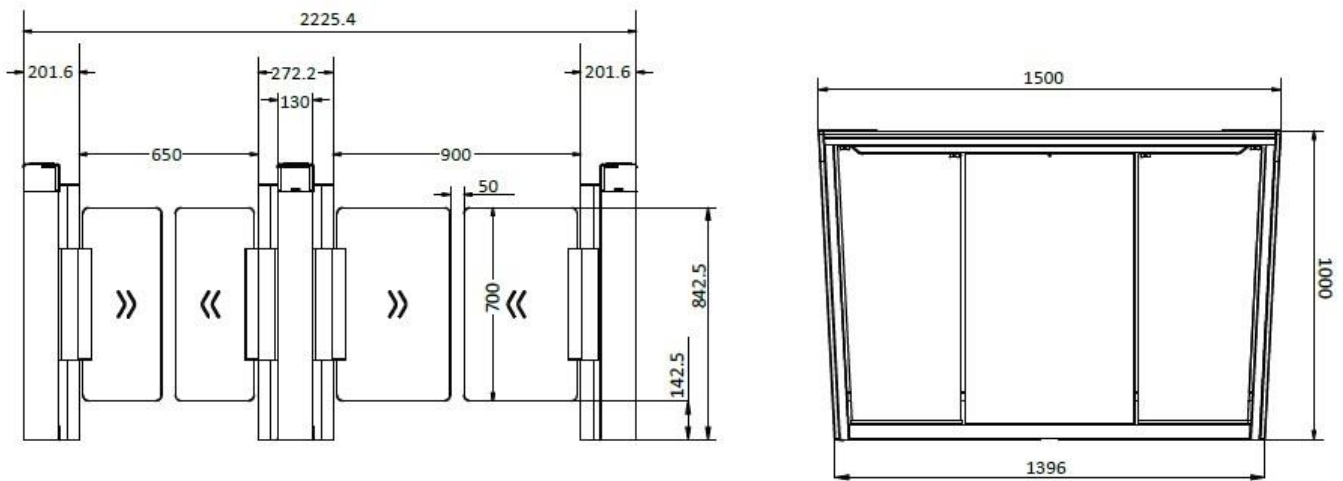
System	
Motor	Servo motor
MCBF	≥ 12 million times
Interface	
Network interface	10 M/100 M x 1
Lock control	2
Exit button	2
Alarm input	2
Alarm output	2
Capacity	
Card capacity	700,000
Event capacity	700,000
Authentication	
Card type	EM card,M1 card,DESfire card
General	
Throughput	30 to 60 persons per minute The actual throughput is affected by the person passing rate and passing method.
IR light detectors	14 pairs
Lane width	550 mm to 1100 mm (21.65" to 43.31")
Distance between Barrier and Ground	1.2 m,1.4 m,1.6 m,1.8 m
Barrier material	Acrylic glass, Stainless steel pipe, Tempered glass
Pedestal material	SUS304 stainless steel 1.5mm(0.06")
Built-in access controller	Yes
Power supply	100 to 240 VAC; 50 to 60 Hz
Working temperature	-20 °C to 65 °C (-4 °F to 149 °F)
Power consumption	40 W (stand by)
Working humidity	0% to 95% (No Condensing)
Dimensions	With packaging: 1610 mm (63.39") × 410 mm (16.14") × 1255 mm (49.41"); Without packaging: 1500 mm (59.06") × 130 mm (5.12") × 1000 mm (39.37");
Weight	(Net) Left: 62.78 kg (138.4 lbs); Middle: 82.4 kg (181.7 lbs); Right: 64.78 kg (142.8 lbs); (Rough) Left: 101.18 kg (223.1 lbs); Middle: 45.54 kg (286.4 lbs); Right: 103.18 kg (227.5 lbs);
Application environment	Indoor and outdoor
Configuration	
Module selection	YES
Lane width	550,650,750,900,1100
Pedestal length	1500 mm
Pedestal width	130 mm
Wall distance	20 mm
Base	YES
Barrier material	Acrylic glass

Authentication mode	Card,Face,QR code
Card type	EM,M1,Desfire
Recommended width	650
Base model	DS-K3B530X-BASE
Product type	Swing barrier
Remote controller type	NA

▪ **Available Model**

DS-K3B530X

▪ **Dimension**



▪ **Accessory**

▪ **Optional**

DS-K7SP01	DS-K7R01-433 Wireless Kefob 433MHz	DS-K7R01-868 Wireless Kefob 868MHz	DS-K3B530X-BASE
			