

DHI-ASI7223X-A-V1-T1

Face Recognition Terminal



- 2.5D curved screen
- 7-inch LCD display with resolution of 1024 × 600
- 2MP CMOS, WDR
- Auto illumination reduces light pollution
- Can hold 100,000 users, 100,000 face images, 100,000 password, 50 administrators, and 300,000 records
- Support face and password unlock and unlock through their combinations
- With face detection box; the largest face among faces that appear at the same time is recognized first; the maximum face size can be configured on the web
- Face-camera distance: 0.3 m–2.0 m; human height: 0.9 m–2.4 m (lens-ground distance: 1.4 m)
- With face recognition algorithm, the terminal can recognize more than 360 positions on human face
- Face recognition speed: 0.2 s per face
- Support liveness detection
- Accurate recognition in backlight and front light
- Various unlock status display modes protect user privacy
- Support enabling/disabling the temperature monitoring mode; temperature monitoring range is 30°C to 45°C; temperature monitoring distance range is 0.3 m–1.8 m; temperature monitoring error is ≤ 0.5°C; report temperature anomaly alarm
- Support mask detection, report alarm of abnormal events without wearing a mask
- Support duress alarm and tamper alarm
- Support general users, patrol users, VIP users, guest users, and special users
- Support Video Door Phone

Technical Specification

System

Main Processor	Embedded Processor
Network Protocol	IPv4, RTSP, RTP, TCP, UDP, P2P, SIP
OSDP Protocol	Yes
Interoperability	ONVIF; CGI
SDK and API	Support SDK

Basic

Display Screen	7-inch display screen
Screen Type	Capacitive screen
Resolution	600 (H) × 1024 (V)
Camera	1/2.8" 2MP CMOS high definition WDR dual camera
WDR	120 dB
Light Compensation	Auto white light Auto IR light
Status Indicator	1 indicator light. Red: Error; Green: Normal; Blue: Working
Voice Prompt	Yes
Casing	Aluminium alloy/tempered glass/PC



Function

Unlock Mode	Remote/Password/Face unlock and unlock through their combinations Face unlock under temperature monitoring mode
Period List	128
Holiday Period	128
Remote Verification	Yes
Peripheral Card Reader	1 RS-485, 1 Wiegand
Real-Time Surveillance	Yes

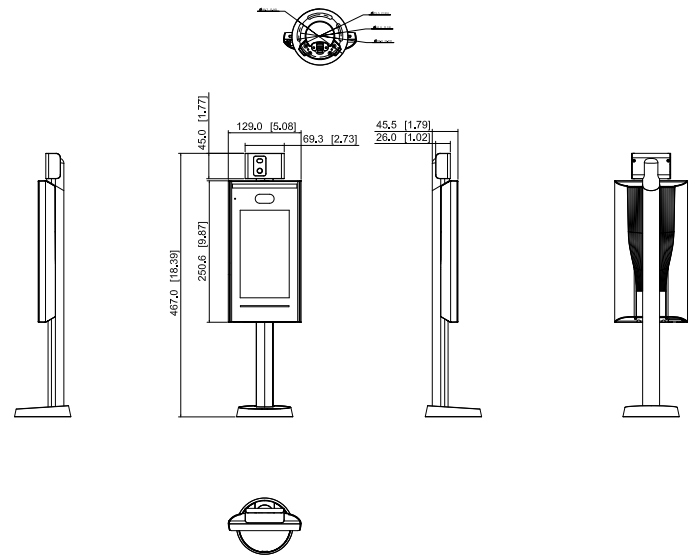
Web Configuration	Yes
Performance	
Face Recognition Distance	Face-camera distance: 0.3 m–2.0 m Human height: 0.9 m–2.4 m
Face Verification Accuracy	99.5%
Face Recognition Time	0.2 s
Temperature Monitoring Range	30°C to 45°C
Temperature Monitoring Error	≤ 0.5°C
Temperature Monitoring Distance	0.3 m–1.8 m
Temperature Monitoring Height	135 cm–185 cm (when temperature monitoring distance is 0.5 m) 120 cm–210 cm (when temperature monitoring distance is 1.2 m)
Capacity	
User Capacity	100,000
Face Image Capacity	100,000
Password Capacity	100,000
Record Capacity	300,000 records
Port	
RS-485	1
Wiegand	1 (input or output)
USB	1 USB2.0 port
Network	2 Ethernet Port
Alarm Input	1 (Switch quantity)
Alarm Output	1 (Relay)
Alarm Linkage	Yes
Exit Button	2
Lock Control	2
Alarm	
Anti-Passback	Yes
Tamper	Yes
Duress	Yes
General	
Power Adapter	Included
Power Supply	12V 2A DC
Power Consumption	≤ 24W
Product Dimensions	477.0 mm × 129.0 mm × 99.7 mm (18.78" × 5.08" × 3.93")
Packaging Dimensions	Controller packing: 593 mm × 258 mm × 130 mm (23.35" × 10.16" × 5.12") Protective case: 672 mm × 615 mm × 291 mm (26.46" × 24.21" × 11.46")

Operating Temperature	+10°C to +35°C (+50°F to +95°F)
Operating Humidity	0%RH–90%RH (non-condensing)
Operating Environment	Indoor
Gross Weight	3.1 kg (6.83 lb)
Installation	Desktop
Certifications	CE/FCC

Ordering Information

Type	Model	Description
Face Recognition Terminal(indoor; temperature monitoring)	DHI-ASI7223X-A-V1-T1	7-inch Face Recognition Terminal (indoor; temperature monitoring)

Dimensions (mm[inch])



Application

