

DHI-ASI7223Y-A-V3

Face Recognition Terminal



- 7 inch IPS display, resolution 1024×600
- Support face unlock, and password unlock; unlock by period
- With face detection box; the largest face among faces that appear at the same time is recognized first; the maximum face size can be configured on the web
- 2MP wide-angle WDR lens; with auto/manual fill light
- Face-camera distance: 0.3 m–2.0 m; human height: 0.9 m–2.4 m
- With face recognition algorithm, the terminal can recognize more than 360 positions on human face
- Face verification accuracy>99.5%; face comparison speed 0.35s per person; low false recognition rate
- Support profile recognition; the profile angle is 0°–90°
- Holds 50, 000 users, 50, 000 faces, 50, 000 passwords, and 50 administrators
- Support liveness detection
- Support duress alarm and tamper alarm
- Support general users, patrol users, VIP users, guest users, and the disabled users
- With 4 unlock status display modes

Technical Specification

System

Main Processor	Embedded Processor
Internet Protocol	IPv4, RTSP, RTP, TCP, UDP, P2P
OSDP Protocol	Yes
Interoperability	CGI
SDK and API	Support SDK

Basic

Display	7 inch IPS
Screen Type	Capacitive touch screen
Resolution	600(H)×1024(V)
Camera	2 MP CMOS camera
WDR	120dB
Light Compensation	Auto white light Auto IR light
Status Indicator	1 indicator light. Red: Error; Green: Normal; Blue: Working.
Voice Prompt	Yes
Housing Material	PC+ABS

Function

Unlock Mode	Remote/Password/Face unlock and unlock through their combinations
Period List	128
Holiday Period	128
Remote Verification	Yes
Peripheral Card Reader	1 RS-485, 1 Wiegand
Real-Time Surveillance	Yes
Web Configuration	Yes

Performance

Face Recognition Range	Face-camera distance: 0.3 m–2.0 m; Human height: 0.9 m–2.4 m
Face Verification Accuracy	≥99.5%
Face Recognition Time	0.35s

Capacity

User Capacity	50,000
Face Image Capacity	50,000
Password Capacity	50,000
Record Capacity	100,000 records

Port

RS-485	1
RS-232	1
Wiegand	1

USB	2 USB2.0 ports
Ethernet	1 10M/100M Ethernet Port
Alarm Input	1 (Switch quantity)
Alarm Output	1 (Relay)
Alarm Linkage	Yes
Exit Button	2
Lock Control	2

Alarm

Anti-Passback	Yes
Tamper Alarm	Yes
Duress	Yes

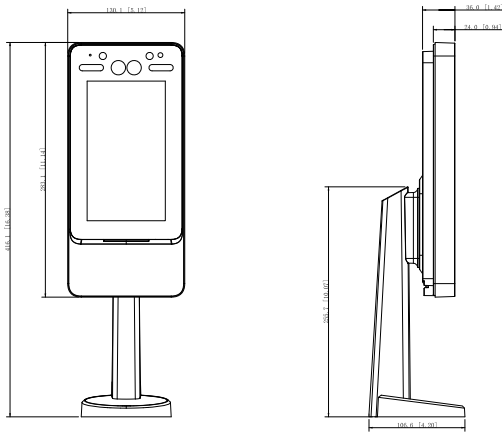
General

Power Supply	Provided
Power Supply Mode	DC 12V 2A
Power Consumption	12W
Production Dimensions	416.0mm×130.0mm×106.6mm (16.38"×5.12"×4.20")
Packaging Dimensions	Controller packaging: 514mm×208mm×139mm (20.24"×8.19"×5.47") Protective case: 1070mm×535mm×310mm (42.13"×21.06"×12.20")
Working Temperature	-10°C to +55°C (+14°F to +131°F)
Working Humidity	0%RH–90%RH (non-condensing)
Working Environment	Indoor
Gross Weight	2.5kg (5.51 lb)
Installation Method	Desktop
Certifications	CE/FCC

Ordering Information

Type	Part Number	Description
Face Recognition Terminal	DHI-ASI7223Y-A-V3	7-inch Face Recognition Terminal (Indoor)
Face Recognition Terminal	ASI7223Y-A-V3	7-inch Face Recognition Terminal (Indoor)

Dimensions (mm[inch])



Application

