

# DHI-ASGB6XXK-X

## Swing Turnstile



### System Overview

ASGB6 series swing turnstile is a passing turnstile that integrates modules such as access control, turnstile control, and alarm. The access control management system is equipped with IC card reading.

### Scene

Applicable to access control scenes, such as community, school, government, factory, campus and office building.

### Technical Specification

#### Basic

Dimensions	1500 mm × 200 mm × 980 mm (59.06" × 7.87" × 38.58") (L × W × H)
Surface Texture	Ink brushed
Casing	SUS304
Barrier	Acrylic or stainless steel
Motor	DC brushless servo motor
IR Detector	12 pairs

#### Function

Anti-collision	Yes
Anti-pinck	Yes
Memory Mode	Yes
Anti-tailing	Yes
Sound & Light Alarm	Yes

- Barriers will be closed automatically if no one entered the turnstile after the identity is verified.
- Parameters can be restored to default settings.
- The locking and unlocking of barriers can be controlled by remote controller (optional).
- Support second unlock (unlock inside the passage) and memory mode.
- Support 4 types of security settings.
- The turnstile can stay open during fire emergency.
- Support mechanical and IR anti-pinch, and anti-collision.
- Support sound and light alarm, volume adjustment and various sound types.
- 9 passing modes: Pass with identity verified, not allowed to pass, and pass without restrictions, and you can use the three modes in any combination.
- Support adjusting unlocking and locking speed, pass duration, and locking delay duration.
- Support alarms of intrusion (entering and exiting), tailing, overstay, climbing, abnormal unlocking, abnormal barriers, abnormal IR, abnormal communication, and more.
- Support multiple authentication methods using face, fingerprint, QR code, CPU card reader/ID card reader and other modules.

People Counting	Yes
Alarm	Yes
Second Unlock	Yes

#### Performance

Lock/Unlock Speed	0.5–1.6 s (adjustable)
Pass Duration	2–60 s (adjustable)
Lock Delay Duration	0–60 s (adjustable)
MCBF	≥5 million times
Passing Frequency	20–60 people/minute
Passage Width	Standard: 600 mm Max: 1100 mm

#### General

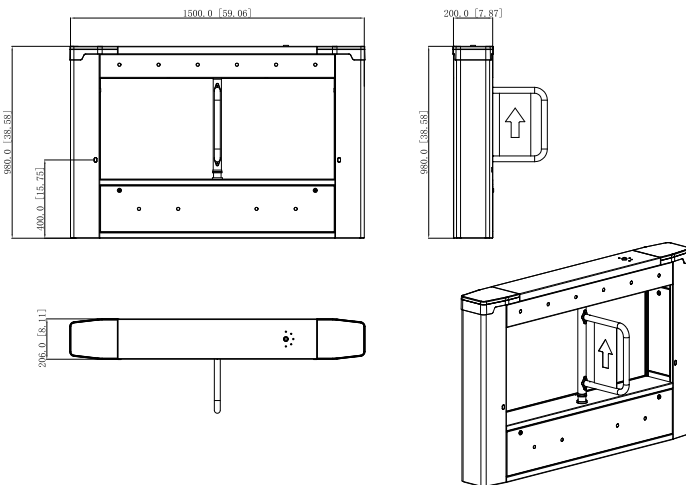
Net Weight	75 kg (165.35 lb) (single-motor), 95 kg (209.44 lb) (double-motor)
Gross Weight	95 kg (209.44 lb) (single-motor), 115 kg (253.53) (double-motor)
Power Consumption	Single-motor module turnstile: ≤10W (standby), ≤130W (working) Double-motor module turnstile: ≤20W (standby), ≤260W (working)

Packaging	Wooden box
Operating Temperature	-25°C to 70°C (-13°F to 158°F)
Operating Humidity	5%–90% (non-condensing)
Operating Environment	Indoor and outdoor

## Ordering Information

Type	Model	Description
Swing Turnstile	DHI-ASGB610K-L	Swing Turnstile-DHI-ASGB610K-L
Swing Turnstile	DHI-ASGB620K-D	Swing Turnstile-DHI-ASGB620K-D
Swing Turnstile	DHI-ASGB610K-R	Swing Turnstile-DHI-ASGB610K-R
Swing Turnstile	DHI-ASGB611K-L	Swing Turnstile-DHI-ASGB611K-L
Swing Turnstile	DHI-ASGB621K-D	Swing Turnstile-DHI-ASGB621K-D
Swing Turnstile	DHI-ASGB622K-D	Swing Turnstile-DHI-ASGB622K-D
Swing Turnstile	DHI-ASGB611K-R	Swing Turnstile-DHI-ASGB611K-R

## Dimensions (mm[inch])



## Application

