

# DHI-ASI7223X-A

## Face Recognition Terminal



- 2.5D curved screen
- 7 Inch LCD display with resolution of 1024×600
- 2 MP CMOS, WDR
- Vehicle level LCD whose working temperature is -30°C to 60°C
- IP65 (Silicone sealant is needed. For details, see the quick start guide.)
- Auto fill light reduces light pollution
- Can hold 100,000 users, 100,000 face images, 100,000 password, 50 administrators, and 300,000 records
- Support face and password unlock and unlock through their combinations
- With face detection box; the largest face among faces that appear at the same time is recognized first; the maximum face size can be configured on the web
- Face-camera distance: 0.3 m–2.0 m; human height: 0.9 m–2.4 m (lens-ground distance: 1.4 m)
- With face recognition algorithm, the terminal can recognize more than 360 positions on human face
- Support liveness detection
- Face recognition speed: 0.2 s per face
- Accurate recognition in backlight and front light
- Various unlock status display modes protect user privacy
- Support duress alarm and tamper alarm
- Support general users, patrol users, VIP users, guest users, and special users
- Support Video Door Phone

### Technical Specification

#### System

|                   |                                     |
|-------------------|-------------------------------------|
| Main Processor    | Embedded Processor                  |
| Internet Protocol | IPv4, RTSP, RTP, TCP, UDP, P2P, SIP |
| OSDP Protocol     | Yes                                 |
| Interoperability  | ONVIF; CGI                          |
| SDK and API       | Support SDK                         |

#### Basic

|                    |   |
|--------------------|---|
| Display            | 7 inch display                                  |
| Screen Type        | Capacitive Screen                               |
| Resolution         | 600(H)×1024(V)                                  |
| Camera             | 1/2.8" 2MP CMOS high definition WDR dual camera |
| WDR                | 120dB   |
| Light Compensation | Auto white light<br>Auto IR light               |

|                  |   |
|------------------|---|
| Status Indicator | 1 indicator light. Red: Error; Green: Normal; Blue: Working |
| Voice Prompt     | Yes   |
| Housing Material | Aluminium alloy/tempered glass/PC                           |

#### Function

|                        |   |
|------------------------|---|
| Unlock Mode            | Remote/Password/Face unlock and unlock through their combinations |
| Period List            | 128   |
| Holiday Period         | 128   |
| Remote Verification    | Yes   |
| Peripheral Card Reader | 1 RS-485, 1 Wiegand   |
| Real-Time Surveillance | Yes   |
| Web Configuration      | Yes   |

## Performance

|                            |   |
|----------------------------|---|
| Face Recognition Range     | Face-camera distance: 0.3 m–2.0 m<br>Human height: 0.9m–2.4 m |
| Face Verification Accuracy | ≥99.5%  |
| Face Recognition Time      | 0.2s  |

## Capacity

|                     |                 |
|---------------------|-----------------|
| User Capacity       | 100,000         |
| Face Image Capacity | 100,000         |
| Password Capacity   | 100,000         |
| Record Capacity     | 300,000 records |

## Port

|               |                     |
|---------------|---------------------|
| RS-485        | 1                   |
| RS-232        | 1                   |
| Wiegand       | 1 (input or output) |
| USB           | 2 USB2.0 port       |
| Ethernet      | 2 Ethernet Port     |
| Alarm Input   | 1 (Switch quantity) |
| Alarm Output  | 1 (Relay)           |
| Alarm Linkage | Yes                 |
| Exit Button   | 2                   |
| Lock Control  | 2                   |

## Alarm

|               |     |
|---------------|-----|
| Anti-Passback | Yes |
| Tamper        | Yes |
| Duress        | Yes |

## Regular

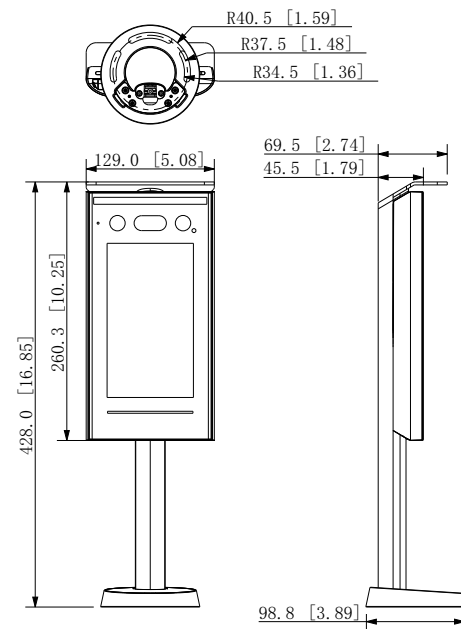
|                      |  |
|----------------------|--|
| Power Supply         | Provided   |
| Power Supply Mode    | DC 12V 2A  |
| Protection Grade     | IP65 (Silicone sealant is needed. For details, see the quick start guide.)   |
| Power Consumption    | 24W  |
| Product Dimensions   | 428.0mm×129.0mm×98.8mm(16.85"×5.08"×3.89")   |
| Packaging Dimensions | Controller packing: 564mm×257mm×148mm(22.20"×10.12"×5.83")<br>Protective case: 585mm×545mm×320mm(23.03"×21.46"×12.95") |
| Working Temperature  | -30°C to +60°C (-22°F to +140°F)   |
| Working Humidity     | 0%RH–90%RH (non-condensing)  |
| Working Environment  | Indoor and outdoor   |
| Gross Weight         | 3.0kg (6.61 lb)  |

|                     |         |
|---------------------|---------|
| Installation Method | Desktop |
| Certification       | CE/FCC  |

## Ordering Information

| Type                      | Model          | Description                                |
|---------------------------|----------------|--|
| Face Recognition Terminal | DHI-ASI7223X-A | 7-inch Face Recognition Terminal (outdoor) |

## Dimensions (mm[inch])



## Application

