

DHI-ASI6213J-FT1

Face Recognition Access Controller



- 4.3-inch LCD touch screen; resolution 480 × 272
- 2MP wide-angle dual lens camera; support DWDR, white light fill light and IR fill light
- Support face, card, password unlock and unlock through their combinations; support unlock by period
- Stores 6,000 users, 6,000 face images, 6,000 cards, 6,000 passwords and 150,000 records
- Face-camera distance: 0.3 m–1.5 m; human height: 0.9 m–2.4 m (lens-ground distance: 1.4 m)
- Face verification accuracy 99.8%; face comparison speed 0.2s per person; low false recognition rate; support liveness detection
- Various unlock status display modes to protect user privacy
- Support enabling/disabling the temperature monitoring mode; temperature monitoring range is 30°C to 45°C (86°F to 113°F); temperature monitoring distance range is 0.3 m–1.2 m; temperature monitoring error is ≤ 0.5°C; report temperature anomaly alarm

Technical Specification

System

Main Processor	Embedded processor
Network Protocol	IPv4, RTSP, RTP, TCP, UDP, P2P, SIP
OSDP Protocol	Yes
Interoperability	ONVIF; CGI
SDK and API	Yes

Basic

Display Screen	4.3-inch display screen
Screen Type	Capacitive screen
Resolution	272 (H) × 480 (V)
Camera	1/2.7" 2MP CMOS high definition dual camera
WDR	DWDR
Light Compensation	Auto white light Auto IR light
Voice Prompt	Yes
Casing	Aluminium alloy/PC

Function

Unlock Mode	Card/remote/password/face unlock and unlock through their combinations; Face unlock under temperature monitoring mode only.
Card Reading Type	IC card Felica card
Period List	128

Holiday Period	128
First-User Unlock	Yes
Remote Verification	Yes
Peripheral Card Reader	1 RS-485 1 Wiegand
Multiple User Unlock	Yes
Real-Time Surveillance	Yes
Web Configuration	Yes

Performance

Face Recognition Distance	Face-camera distance: 0.3 m–1.5 m Human height: 0.9 m–2.4 m
Face Verification Accuracy	≥ 99.8%
Face Recognition Time	0.2 s
Temperature Monitoring Range	+30 °C to +45 °C (+86 °F to +113 °F)
Temperature Monitoring Error	≤ 0.5 °C
Temperature Monitoring Distance	0.3 m–1.2 m
Temperature Monitoring Height	140 cm–210 cm (when temperature monitoring distance is 1.2 m)

Capacity

User Capacity	6,000
Face Image Capacity	6,000
Card Capacity	6,000
Password Capacity	6,000

Record Capacity	150,000 records
Port	
RS-485	1
Wiegand	1 (input or output)
USB	1 USB2.0 port
Network	1 10/100 Mbps network port
Alarm Input	1 (Switch quantity)
Alarm Linkage	Yes
Exit Button	1
Door Status Detection	1
Lock Control	1

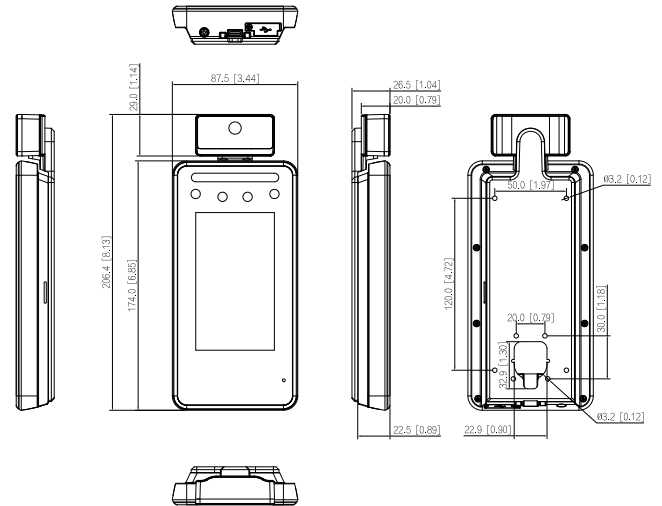
Alarm	
Anti-Passback	Yes
Tamper	Yes
Duress	Yes
Door Sensor Timeout	Yes
Intrusion	Yes
Illegal Card Exceeding Threshold	Yes

General	
Power Supply	DC 12 V 2 A
Power Consumption	≤ 24 W
Product Dimensions	206.4 mm × 87.5 mm × 26.5 mm (8.13" × 3.44" × 1.04") (H × W × D)
Packaging Dimensions	219 mm × 122 mm × 111 mm (8.62" × 4.80" × 4.37") (H × W × D)
Operating Temperature	Temperature monitoring mode disabled: -10 °C to +55 °C (+14 °F to +131 °F) Temperature monitoring mode enabled: +10 °C to +35 °C (+50 °F to +95 °F)
Operating Humidity	0%–90% (RH), non-condensing
Operating Environment	Indoor
Gross Weight	0.86 kg (1.896 lb)
Installation	Surface mount
Certifications	CE/FCC

Ordering Information

Type	Model	Description
Face Recognition Access Controller(indoor; temperature monitoring)	DHI-ASI6213J-FT1	4.3-inch face recognition access controller (indoor; temperature monitoring)

Dimensions (mm[inch])



Application

