

Model : RMS-TR14

RMS-TR14 is a cost-effective visitor management kiosk, which goes beyond meeting and greeting visitors who enter the reception area of any business or public building.

It is designed for both visitor self-service kiosk and receptionist's station. It works on behalf of receptionist, greeter, and security officer in order to enhance building security, protect facilities and employees, and improve employees' and visitors' overall experience.

It helps reduce wait times at the front desk with visitor self-registration. The pre-registered visitor or recurring visitors can use the fast check-in option by either face or QR code scan.

The kiosk "RMS-TR14" collects data to meet security and safety requirements for an effective way to enhance the visitor management experience

- Designed for Visitor Self-Service
- Visitor Invitation & Pre-registration
- Fast Check-in with Face Registration & QR Code Authentication
- User-friendly with Touchless and Intuitive User Interface
- Customizable flow for access and exit that meets your security requirement
- Physical Security Hardware Integrability e.g., Turnstile, Access Control, Lift, AI CCTV, Meeting Room Booking System etc.



Compatibility :



Gate Barrier



Access Control



Booking System



Digital Signage

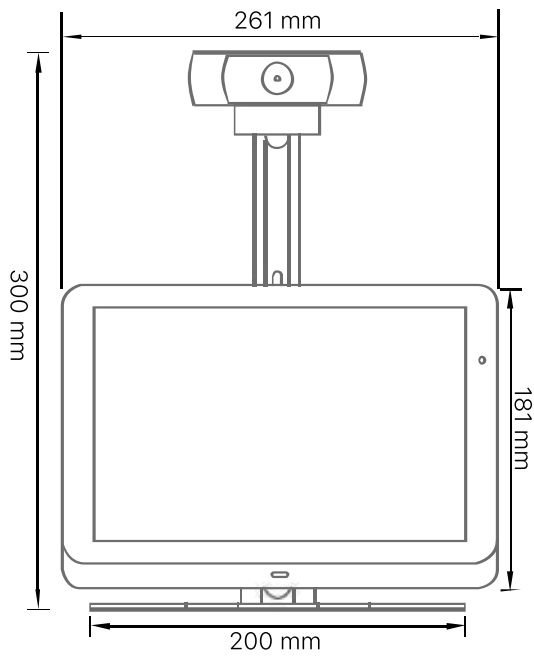


RMS-TR14

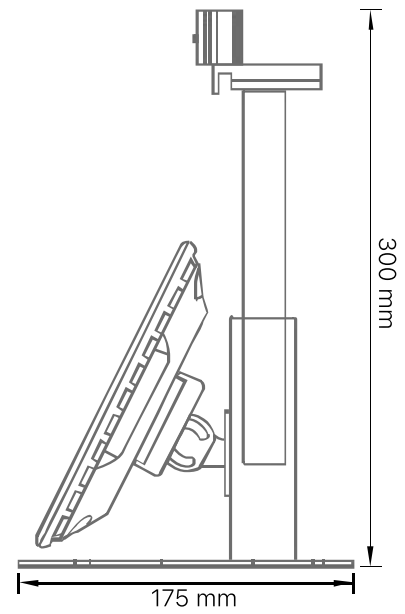
Screen	10.1" Industrial Enterprise Touch Panel <ul style="list-style-type: none"> • Cortex-A53 Octa-Core • 2 GB Memory, 16 GB eMMC Flash Memory Built-in • Android 9.0, 350 nits brightness • Fanless, Silent 10-Point Touch Interactive Display • Reliable Performance, No Moving Part • Premier Design with 360° Status Projection Status LED Green (Steady) = Available, Red (Steady) = In-Use, Red (Flashing) = Offline • Dimension 261mm x 181mm x 29mm (10.28" x 7.12" x 1.14") • Certifications CE / FCC / RoHS
Facial Registration	Smart Facial Registration Camera <ul style="list-style-type: none"> • 2MP @ 1920x1080 resolution • AGC for Self-adaptive Brightness • 15 – 30 cm Adjustable Camera Height
QR – NFC Reader	Compact Intelligent Readers <ul style="list-style-type: none"> • 2MP Auto-focus Camera for QR Code • Built-in NFC Card Reader 13.56 MHz for WRP-1000-L & WRP-1000-A 13.56 MHz & 125 kHz., HID Compliant for WRP-1000-H
Power Consumption	IEEE 802.3at Power-over-Ethernet (PoE+) 12VDC, 2 A
Operating Temperature	0 - 40°C (32 - 104° F)
Relative Humidity	90% (40° C non-Condensing)
Material	Metal Table Stand, Industrial-grade Powder-Coated Color (White, Black, Grey) Fully-Cable Management



Dimension : RMS-TR14



Front View



Side View